

# Advanced Environmental Instrumentation

## Harnessing the Power of Mobile Computing



✓ Surveyed

✓ Documented

✓ Reported



# ADVANCEDSENSE<sup>®</sup> TVOC

# DIRECTSENSE<sup>®</sup>

Multi-Gas PID Meters



**GRAYWOLF<sup>®</sup>**  
SENSING SOLUTIONS  
PH. 1-203-402-0477

EMAIL:  
SALESTEAM@  
GRAYWOLFSENSING.COM

WEBSITE:  
WWW.GRAYWOLFSENSING.COM

Live Graph

Graph > 08:17

TVOC mg/m3 12-SEP-23

NH3 ppm 12-SEP-23

TVOC µg/m3

Realtime

LIVE >

DSII 09-1703

TVOC	56	ppb
Carbon Dioxide	984	ppm
Carbon Monoxide	0.3	ppm
Ozone	0.01	ppm
Nitrogen Dioxide	0.02	ppm
Relative Humidity	69.1	%RH
Temperature	76.8	°F
PM 2.5	5.57	µg/m3
PM 10	13.04	µg/m3

TREND LOG Reception Area SNAP LOG

VOC Compound Details

TVOCs > 07:08 PM

Toluene

Chemical Formula: C7H8  
Alternate Name(s): Methylbenzene, Phenylmethane  
Calibration Correction Factor: 0.53  
OSHA PEL: 200ppm 8 hr TWA

Common Source(s): IAQ; (VERY common) Nail polish, paints, paint thinners, lacquers, adhesives, rubber cement, inks, fabric dyes, cosmetics, auto exhaust, gasoline, kerosene, heating oil, cigarette smoke. Industrial: rubber mfg, leather tanning, printing processes

Data File Set-Up

Locations > 01:35 PM

- Jefferson High School
  - Auditorium
  - Admin Office
  - Cafeteria
  - Janitorial Office
  - Room 220
  - Room 201
  - Teachers Lounge

Example AdvancedSense Screens\*

\*Probes also connect to Windows Tablets, Android/iOS devices and, via Wi-Fi, to the Cloud.

WolfSense Mobile Android App

GrayWolf is transforming how to Measure, Data-Log and Report on worker and general environmental exposure levels. The AdvancedSense TVOC is a powerful data collection tool, packed with on-board application information and advanced documentation features; highly intuitive and Easy-To-Use.

- VOCs, %RH, °F/°C plus up to 5 specific gas sensors per probe (all "plug-and-play" in DSII probes)
- Choice of PID sensors optimized for ppb or ppm VOC concentrations
- On-board list of 250+ compounds detected by the PID sensor
- On-screen info about common VOCs including typical indoor air sources, worker exposure limits and much more...
- Response factors for common compounds; display/log corrected VOC values
- Productivity tools: audio notes, text notes, data file linked photos and more...
- WolfSense<sup>®</sup> PC desktop data transfer & analysis software included
- Optional GrayWolfLive<sup>™</sup> WiFi access to data & notes, with e-mail/text alerts when alarm conditions are exceeded



# ADVANCEDSENSE® DIRECTSENSE® TVOC

## Multi-Gas PID Meters

DSII-3, DSII-5, DSII-7, DSII-8 VOC Probes

**SPECIFICATIONS:**

VOCs (SEN-SMTA-VOC-PPMH PID sensor, 10.6eV lamp)	Range: 0.1 to 10,000ppm
10.6 eV PIDs do not respond to VOCs with ionization potentials >10.6, such as methane (which at ~2ppm background is typically preferable <i>not</i> to measure), ethane or formaldehyde. However, they do respond to the vast majority of VOCs. Standard calibration is to Isobutylene. Users may calibrate to alternative VOCs.	
VOCs (SEN-SMTA-VOC-PPB PID sensor, 10.6eV lamp)	Range: 1 to 40,000ppb
User selectable units: ppb, ppm, µg/m3, mg/m3. Alternative ranges are available.	
Carbon Dioxide NDIR sensor (DSII)	Range: 0 to 10,000ppm, 0 to 1%
Accuracy ±35ppm 350-2000ppm, ±3% reading ±50ppm >2000ppm	
Relative Humidity:	Range: 0.0 to 100.0 %RH
Accuracy: ±2%RH <80%RH (±3%RH>80%RH)	
Temperature:	Range: 5.0° to 160.0°F (-15° to +70°C)
Accuracy: ±0.3°C	
Response Time:	VOC, %RH, CO2 and °F/°C sensor
All exhibit 90% response <1 minute	
Probe Dimensions (DSII):	83mm (3.3in.)w. x 295mm (11.6in.)h. x 55mm (2.2in)d
Probe Weight (DSII):	460gr (1lb) + ~10g/sensor
Probe Power (DSII):	Lithium ion rechargeable, 18+ hours typical battery life
Alternatively, power the sensors continuously from the (cabled) meter or WIN tablet	
Operating Range:	0 to 90 %RH (non-condensing), -15°C to 60°C
Specific gas sensors may have a reduced operating range	
PC Software Requirements (for WSPC or WSLAP):	Windows 8/10/11

SPECIFICATIONS ARE SUBJECT TO CHANGE WITHOUT FURTHER NOTICE

- Specify low (ppb), mid or high (ppm) range PID sensor. °C/°F, %RH sensors included. Add up to 2 smart sensors for DSII-5 and up to 5 smart sensors for DSII-8.

Choose from:

O <sub>3</sub>	NH <sub>3</sub>	Cl <sub>2</sub>	EtO	O <sub>2</sub>	CO	HCHO
SO <sub>2</sub>	NO	NO <sub>2</sub>	HCN	AsH <sub>3</sub>	H <sub>2</sub> S	HCl
H <sub>2</sub>	F <sub>2</sub>	ClO <sub>2</sub>	COCl <sub>2</sub>	SiH <sub>4</sub>	PH <sub>3</sub>	HF

Note 1: Specialty mid-range VOC (200ppm, 4000ppm) PID sensors are available  
 Note 2: An NDIR CO<sub>2</sub> sensor may also be added to the DSII-5 or DSII-8 probes

- Order GrayWolf TVOC Kits with an AdvancedSense XM, rugged Windows tablet, or Android device included, along with accessories. Or order Kits set-up to operate with your own iOS/Android/Windows device.
- Advanced Report Generator software for automated, detailed TVOC reports, tripods, security cases, and other accessories are available from GrayWolf. Find out more at [www.graywolvesensing.com/accessories/](http://www.graywolvesensing.com/accessories/).



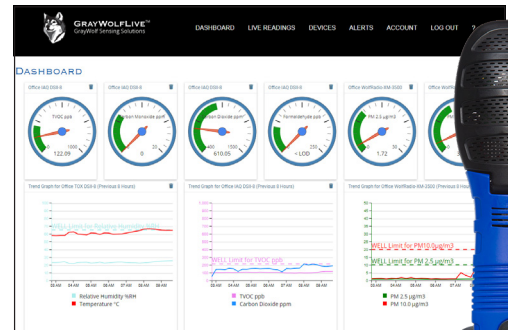
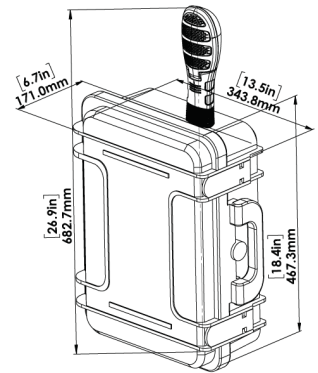
**GRAYWOLF®  
SENSING SOLUTIONS**  
 6 RESEARCH DRIVE (WORLDWIDE HEADQUARTERS)  
 SHELTON, CT 06484 USA  
 PH. (1) 203-402-0477  
 800-218-7997

EMAIL: [SALESTEAM@GRAYWOLFSENSING.COM](mailto:SALESTEAM@GRAYWOLFSENSING.COM)  
[WWW.GRAYWOLFSENSING.COM](http://WWW.GRAYWOLFSENSING.COM)

**MEASURE SMART**

**REPORT EFFICIENTLY**

PCC-20A Hard-shell Security/Carry Case



DSII probes connect to GrayWolfLive logging/reporting cloud software via Wi-Fi

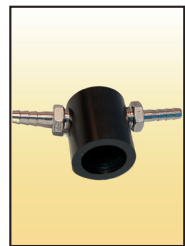


Windows tablet platforms are available from GrayWolf with security case foam cuts, pouches, etc.



**CA-HD4-A1**

Calibration cap for all A series sensors in DSII probes. Supplied with 2m tubing.



**CA-GS25**

PID/VOC Calibration Kit (zero & isobutylene).

Connect probes to AdvancedSense meters, WIN tablets (via cable or Bluetooth), or to Android or iOS devices via Bluetooth wireless



Specific cal reference gases available for most sensors

**GRAYWOLF  
SENSING SOLUTIONS**  
 ANNACOTTY INDUSTRIAL PARK, UNIT 1C  
 ANNACOTTY, COUNTY LIMERICK  
 IRELAND V94 PR2Y  
 PH. (353) 61358044