



# Aircraft Maintenance

## Differential Pressure Kit



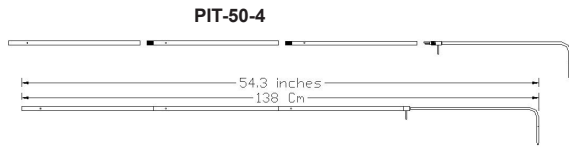
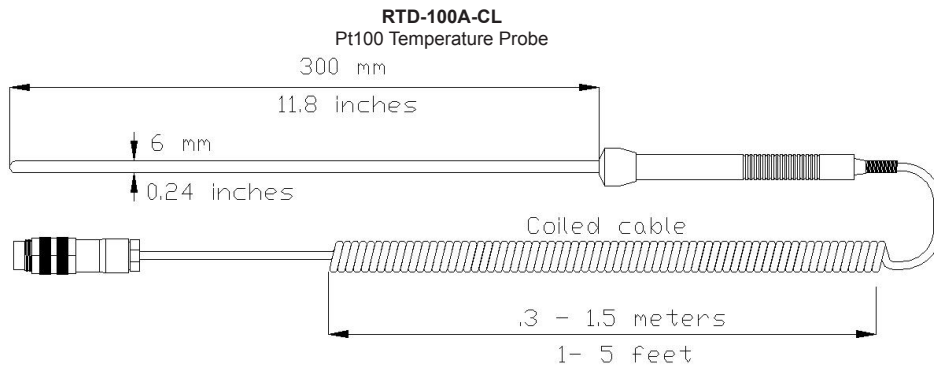
GrayWolf's Zephyr II and Zephyr II+ Auto-Zeroing Differential Pressure Meters have been specified as the products of choice for performance testing of various commercial and military aircraft. These instruments, on the market for 15 years, are highly accurate, rugged and time tested. GrayWolf has updated software and data downloading (USB or Serial) that keeps these proven meters up-to-date.

As an example, the F-16 Fighting Falcon is the backbone of the United States Air Force. The F-16 Automated Test Equipment (ATE) is one of the systems which plays a key role in maintaining the planes operational mission readiness. This equipment is described as immediate level and as normally located adjacent to the flight line in the backshop. Normal environment operating temperatures of the ATE are +10 degrees C to +40 degrees C. The ATE provides one of the first verification test methods utilized by the US Air Force to determine if a Line Replaceable Unit (aircraft avionics) has failed during a sortie. The ATE is comprised of

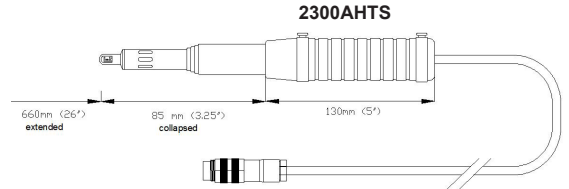
computer controlled stimulus and measurement instruments, power supplies, blower and refrigeration units as well as other instruments which simulate aircraft flight controls and operational functions. The Automated Test Equipment has requirements it must be traceable to NIST standards with calibration verified every 180 days. The Zephyr II instrument and RTD-100A-CL temperature probe are utilized to verify performance of the ATE blower and refrigeration units.



On other aircraft, direct measurements on an assortment of equipment are taken with the Zephyr. In addition to differential pressure and the precise Pt100 temperature tests, optional airflow sensors (hotwire and pitot) may be employed. Type K thermocouple probes are also available for contact and highly elevated temperature measurements.



Optional extendable pitot tube



Optional airspeed (hotwire), %RH, air temp probe

## Specifications

Parameter	Sensor	Range/ Resolution	Accuracy (Instrument + probe)
Dewpoint Auto-zeroing Pressure	Piezo Resistive Silicon Wafer	+/-7000.0 Pa +/-28.000 in. H <sub>2</sub> O	+/-1%rdg +/-2 counts
Temperature RTD-100A-CL	Platinum Pt100	-25.0°C to 150.0°C -15.0°F to 300.0°F	±0.2°C

See Zephyr II datasheet for instrument specifications.

See 2300AHTS datasheet for optional 2300AHTS 3-function probe specifications

### Standard Aircraft Differential Pressure Kit

Part Number:	CLK-Zeph-ACDP	CLK-Zeph-ACDP+
<b>Contents:</b>	Zephyr II Instrument	Zephyr II+ Instrument
	RTD-100A-CL Pt100 Temperature Probe	RTD-100A-CL Pt100 Temperature Probe
	Hardshell carrying case	Hardshell carrying case
	6ft of dual tubing	6ft of dual tubing
		USB PC download/interface cable (a serial cable is alternatively available)
		WolfSense PC Data Transfer Software



U.S.A. (WORLDWIDE HEADQUARTERS)  
GRAYWOLF SENSING SOLUTIONS, LLC  
6 RESEARCH DRIVE, SHELTON, CT 06484 USA

IRELAND  
GRAYWOLF SENSING SOLUTIONS, LTD  
UNIT 8 TUAMGRANEY INDUSTRIAL ESTATE,  
TUAMGRANEY, CO. CLARE, IRELAND

FOR MORE INFORMATION CALL:  
TEL: 1(203) 402-0477 OR (800)-218-7997  
FAX: 1(203) 402-0478  
WEB: WWW.GRAYWOLFSENSING.COM

