

Advanced Environmental Instrumentation

Harnessing the Power of Mobile Computing



✓ Surveyed

✓ Documented

✓ Reported



Example AdvancedSense, WolfPack Screens*

Live Graph

Logging: LEED Flush-Out Test

Min 474; Max 1003 µg/m3

Realtime

File	Log	Probe	View
TVOC		462	ppb
Ozone		0.49	ppm
Ammonia		1.2	ppm
Hydrogen Sulfide		0.40	ppm
Temperature		24.4	°C
Relative Humidity		29.3	%RH
Toluene		245	ppb

VOC Compound Details

Toluene

Chemical Formula: C7H8
Alternate name(s): Methylbenzene, Phenylmethane
Calibration Correction Factor: 0.53
OSHA PEL: 200ppm

Common Source(s): IAQ; (very common)
Nail polish, paints, paint thinners, lacquers, adhesives, rubber cement, inks, fabric dyes, cosmetics, auto exhaust, gasoline, kerosene, heating oil, cigarette smoke, Industrial: rubber mfg, leather tanning, printing processes

attached video note

attached field (template) note

attached text note

probe calibration history

Audio Notes

File	Log	Probe	View
Barometric		0.992	atm
TVOC		1532	µg/m3
Chlorine		3.14	mg/m3
Nitrogen Dioxide		0.70	mg/m3
Sulfur Dioxide		3.2	mg/m3
Temperature		72.2	°F
Relative Humidity		20.2	%RH

Audio Note

ERASE [Play] [Stop] [Record] [Erase]

Live: Welding Shop

On-board Video Help

ADVANCEDSENSE® TVOC

DIRECTSENSE®

Multi-Gas PID Meters

GrayWolf is transforming how to Measure, Data-Log and Report on worker and general environmental exposure levels. The AdvancedSense TVOC is a powerful data collection tool, packed with on-board application information and advanced documentation features; highly intuitive and Easy-To-Use.

- VOCs, %RH, °F/°C and up to 3 specific gas sensors per probe
- Choice of PID sensors optimized for ppb or ppm VOC concentrations
- On-board list of 250+ compounds detected by the PID sensor
- On-screen info about common VOCs including typical indoor air sources, worker exposure limits and much more...
- Response factors for common compounds; display/log corrected VOC values
- Productivity tools: audio notes, text notes, data file linked photos and more...
- WolfSense® PC desktop data transfer & analysis software included
- Optional GrayWolfLive™ WiFi access to data & notes, with e-mail/text alerts when alarm conditions are exceeded



GRAYWOLF®
SENSING SOLUTIONS
PH. 1-203-402-0477
FAX: 1-203-402-0478

EMAIL:
SALESTEAM@GRAYWOLFSENSING.COM

WEBSITE:
WWW.GRAYWOLFSENSING.COM

*Probes also connect to Windows Tablets, Laptops, PCs



ADVANCEDSENSE® DIRECTSENSE® TVOC

Multi-Gas PID Meters

TG-502, TG-503, VOC-103 VOC Probes

SPECIFICATIONS:

VOCs (SEN-B-VOC-PPMH PID sensor, 10.6eV lamp)	Range: 0.1 to 10,000ppm
10.6 eV PIDs do not respond to VOCs with ionization potentials >10.6, such as methane (which at ~2ppm background is typically preferable <i>not</i> to measure), ethane or formaldehyde. However, they do respond to the vast majority of VOCs. Standard calibration is to Isobutylene. Users may calibrate to alternative VOCs.	
VOCs (SEN-B-VOC-PPB PID sensor, 10.6eV lamp)	Range: 5 to 20,000ppb (user selectable units: ppb, ppm, µg/m3, mg/m3)
Carbon Dioxide (TG-503 only)	Range 0 to 50,000ppm, 0 to 5% Accuracy ±3% reading ±150ppm (alt 0-10,000ppm range; Acc ±3% reading ±50ppm)
Relative Humidity:	Range: 0.0 to 100.0 %RH Accuracy: ±2%RH <80%RH (±3%RH>80%RH)
Temperature:	Range: 5.0° to 160.0°F (-15° to +70°C) Accuracy: ±0.3°C
Response Time:	VOC, %RH, CO2 and °F/°C sensor All exhibit 90% response <1 minute
Probe Dimensions:	2in. (5cm) dia. x 12.5in. (30cm) lgth.
Weight (probe):	w/batteries 1lb. 10oz. (0.7kg)
Probe Power:	2 x D cells; typical battery life 120+ hrs (60+ hrs for TG-503) Alternatively, power the sensors continuously from the meter/mobile PC or auto-switch when probe batteries are <20%
Operating Range:	0 to 90 %RH (non-condensing), -15°C to 60°C Specific gas sensors may have a reduced operating range
PC Software Requirements:	Windows 8/7/XP

SPECIFICATIONS ARE SUBJECT TO CHANGE WITHOUT FURTHER NOTICE

- Specify low (ppb) or high (ppm) range PID sensor. Add up to 3 electrochemical gas sensors per TG-502 probe, 2 per TG-503 (EC gas sensors n/a for VOC-103).

Choose from:

O₃ NH₃ Cl₂ EtO HCl O₂ CO
SO₂ NO NO₂ HCN AsH₃ H₂S
F₂ ClO₂ COCl₂ SiH₄ PH₃ HF

Note 1: Specialty mid-range VOC (200ppm, 2000ppm, 6000ppm) PID sensors are available
 Note 2: An NDIR CO₂ sensor may also be added to the TG-503 probe
 Note 3: A CO/H₂S combo sensor is also available (both gases from a single sensor)
 Note 4: HCl, EtO or NO cannot be installed in combination into a single probe

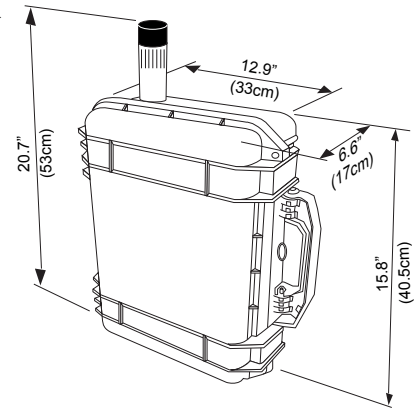
- Order AS/DS TVOC kits with an AdvancedSense, WIN 8 tablet, or WolfPack **included**. Or order with software and connectors to operate with your own WIN 8/7/XP computer.
- Advanced Report Generator software for automated, detailed reports, tripod kits, USB keys/cables for data download, %RH cal kits, and other accessories are available from GrayWolf. Visit our website at accessories.graywolvesensing.com.

MEASURE SMART

PCC-10 Hard-shell
▼ Security/Carry Case



REPORT EFFICIENTLY



Connect probes to AdvancedSense meters, WolfPacks or to XP/WIN7/WIN8 PCs and WIN8 tablets ▼



WIN8 tablet platforms are available from GrayWolf with security case foam cuts, pouches, etc. ▼



CA-HD2 Cal Hood
May alternatively be used with air pump to draw sample across sensors ▼

ACC-FIL6 Probe Filters
for dirty environments ▼



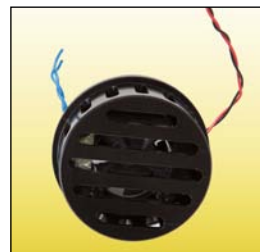
▲ Optional **WolfPack®** Modular Area Monitor



CA-GS25
PID/VOC Calibration Kit
(zero & isobutylene) ▼



Specific cal reference gases available for most sensors



▲ **ACC-DSPFAN-1**
Optional fan built into DirectSense probes. Allows CA-HD: sample draw from ducts, cabinets, etc. and more



**GRAYWOLF®
SENSING SOLUTIONS**
6 RESEARCH DRIVE (WORLDWIDE HEADQUARTERS)
SHELTON, CT 06484 USA
PH. (1)203-402-0477
800-218-7997
FAX: (1)203-402-0478

EMAIL: SALESTEAM@GRAYWOLFSENSING.COM

WWW.GRAYWOLFSENSING.COM

**GRAYWOLF
SENSING SOLUTIONS**
ANNACOTTY INDUSTRIAL PARK, UNIT 1C
ANNACOTTY, COUNTY LIMERICK
IRELAND
PH. (353) 61358044
FAX: (353) 61358160