



✓ Surveyed

✓ Documented

✓ Reported



Features and Benefits:

- Measures particulate 0.3 μm to 25 μm
- 0.1 CFM (2.83 LPM) flow rate via precision, brushless internal pump
- Measures 6 channels of simultaneous particle count data
- Simultaneously displays calculated PM_{2.5}, PM₁₀ and TSP mass concentration in $\mu\text{g}/\text{m}^3$ (pressure compensated w/internal barometric sensor)
- Optional %RH and temperature probe
- Optional TVOC and/or carbon dioxide sensors; highly accurate PID and NDIR (PC-4005 only)
- Large easy-to-use icon driven color touch screen display
- As a stand-alone, store up to 40,000 sample records, in up to 1000 location files, for download to GrayWolf's WolfSense[®] PC software
- Connect to GrayWolf's AdvancedSense[®] Pro, WolfPack[®] meters or DirectSense[®] tablets for additional parameters and enhanced features
- Connect via the cloud with optional Wireless 802.11 b/g hardware and GrayWolfLive[™] software
- Internal audible alarm
- Complies with ISO 21501-4 and JIS B9921 standards
- Light weight stainless steel enclosure
- 2 year limited warranty



PC-4000 Series

6-Channel Particle/Mass Monitor Plus

Use the PC-4000/5 as a stand-alone particulate meter, plug it into a mobile computer or into a sophisticated AdvancedSense/WolfPack system for simultaneous connection with GrayWolf's DirectSense probes.

- Easily download data from the PC-4000/5 using the included WolfSense PC Software to create high quality trend/bar graphs/tables with WolfSense's advanced organizational features or simply export to Microsoft Excel[®].
- Optionally add Advanced Report Generator software for extremely efficient, automated reporting of particle count/concentration data.
- Easy-to-read 4.3" (10.9 cm) WQVGA (480x272) color touch screen.
- Offering 6 channels of simultaneous particle counting, this unit displays both particle counts and (PM) mass concentration ($\mu\text{g}/\text{m}^3$). PM 0.5, PM 1.0, PM 2.5, PM 5.0, PM 10 and TSP may be concurrently displayed and logged.
- Optionally add simultaneous %RH and $^{\circ}\text{C}/^{\circ}\text{F}$ (PC-4000) plus TVOCs and/or CO₂ (PC-4005). And even more parameters via interface to AdvancedSense Pro/ WolfPack/DirectSense.



GRAYWOLF[®]
SENSING SOLUTIONS
PH. 1-203-402-0477
FAX: 1-203-402-0478

EMAIL:
 SALESTEAM@GRAYWOLFSENSING.COM

WEBSITE:
 WWW.GRAYWOLFSENSING.COM



PC-4000 Series

6-Channel Particle/Mass Monitor Plus

Size Range	0.3 to 25µm
Size Channels	Factory calibrated at 0.3, 0.5, 1.0, 2.5, 5.0, 10.0 µm Custom binning available
Flow rate	0.1 CFM (2.83 LPM)
Concentration Limit	4,000,000 Particles/ft ³ @ 5% coincidence loss
Battery Run Time	PC-4000 10+ hours, PC-4005 8+ hours (typical)
Light Source	Long life laser diode
Counting Efficiency	50% @ 0.3 µm; 100% for particles >0.45 µm per JIS
Zero Count	<1 count/5 minutes (<2 particles/ft ³) (per ISO 21501-4 & JIS)
Count Modes	Automatic, manual, beep, cumulative/differential counts or mass concentration
Count Alarms	1 to 9,999,999 counts
Carbon Dioxide (Optional)	0 to 5,000 ppm ±65ppm ±3% rdg. (PC-4005 only)
Relative Humidity/ Temperature (Optional)	0 to 98 %RH ±2%RH, 32 to 122 °F (0 to 50 °C) ±1°F (0.5°C)
TVOCs (Optional)	0 to 50ppm range, <5ppb L.O.D. (PC-4005 only)
Display	4.3" (10.9 cm) WQVGA (480x272) color touch screen
Vacuum Source	Internal pump with automatic flow control
Filtered Exhaust	Internal HEPA filter
Number of Channels	6 for particulate, plus 2 for optional TRH (PC-4000), plus 2 additional for optional sensors on the PC-4005
Custom Size Channels	Calibration for custom particle size channels available
Audible Alarm	Adjustable built-in alarm
Battery	Removable Li-ion
Battery Recharge Time	4 hours
Recipes	50 user-configurable recipes
Communication Modes	Serial (for interface with AdvancedSense Pro, WP, Tablets and data download to WolfSensePC), USB for calibration and firmware updates
Optional Communication Modes	RS-232/RS-485 Modbus and Ethernet hardware is standard. Wireless 802.11 b/g (with antenna) is optional. Interface with these comm modes requires optional software
Alarm	Alarms on counts for all particle sizes, low battery, sensor failure, environmental sensors and flow
Standards	ISO 21501-4 and JIS B9921
Factory Calibration	Recommended annually. NIST traceable (cert optional)
External Surface	Stainless steel
Dimensions (L x W x H)	5.2" x 4.15" x 8.25" (13.3 cm x 10.5 cm x 21 cm) incl. barb fittings (9.5", 24 cm H w/isokinetic inlet)
Weight	4 lb (1.8 kg)
Included Accessories	Quick start guide, operating manual on USB flash drive, isokinetic probe, purge filter, WolfSense® PC data download and report generation software, USB cable, power supply (spec US, UK or Euro plug)
Additional Optional Accessories	Calibration hood, printed manual, spare battery, spare external battery charger and isokinetic probes
Buffer Memory	40,000 sample records (rotating buffer) including particle count data, environmental data, locations and times. Scrollable on screen or printout
Sample Locations	Up to 1,000 locations 20 characters long (unlimited locations 256 characters long, when interfaced to AdvancedSensePro/WolfPack/DirectSense)
Sample Time	1 second to 99 hours
Power	110 to 240 VAC 50/60 Hz universal in-line power supply
Operating Conditions	41° to 104°F (5° to 40°C)/20% to 90%RH non-condensing
Storage Conditions	32° to 122°F (0° to 50°C) / Up to 98%RH non-condensing
Warranty	2 years limited (1 year on internal pump and optional TVOC, CO2 sensors)

GrayWolf Sensing Solutions reserves the right to change specifications without notice.



GRAYWOLF SENSING SOLUTIONS

6 RESEARCH DRIVE (WORLDWIDE HEADQUARTERS)
SHELTON, CT 06484 USA
PH. (1)203-402-0477
800-218-7997



EMAIL: SALESTEAM@GRAYWOLFSENSING.COM

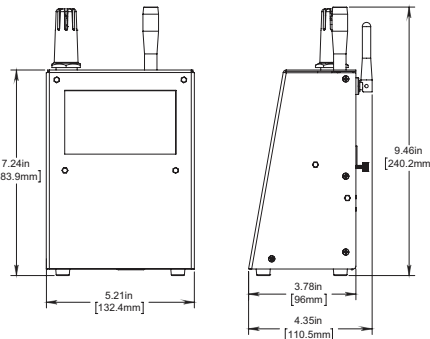
WWW.GRAYWOLFSENSING.COM

MEASURE SMART

REPORT EFFICIENTLY

Front view

Side view



Shown with optional PC-GW4000-RHT %RH, °C/°F sensor



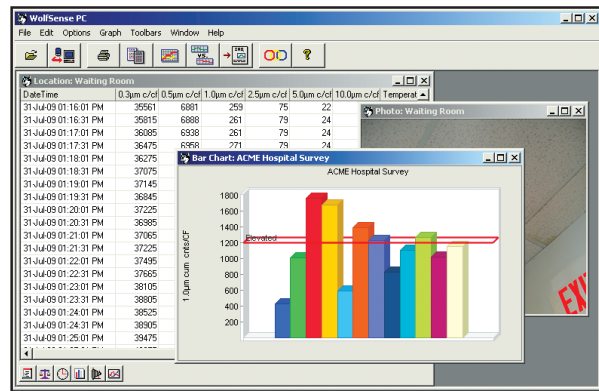
Hard-shell case (included)

Highly recommended, optional, PC-GW4005-HD5 gas calibration hood



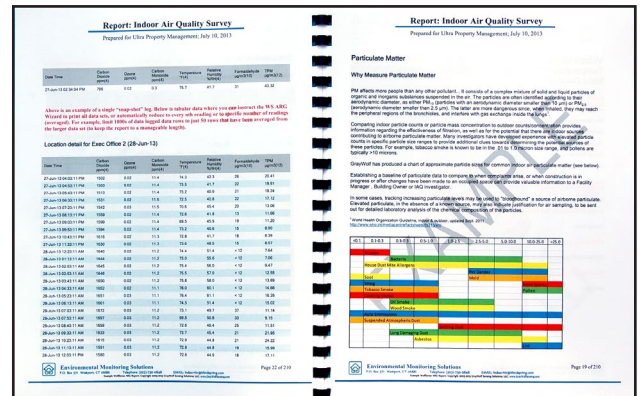
Example ▲

AdvancedSense Pro Screen (interface enables GrayWolf's powerful in-situ features for particulate data)



Example WolfSense PC Screen data transfer & analysis software (supplied as standard)

Example WolfSense ARG (optional automated report generation software)



GRAYWOLF SENSING SOLUTIONS

6 RESEARCH DRIVE (WORLDWIDE HEADQUARTERS)
SHELTON, CT 06484 USA
PH. (1)203-402-0477
800-218-7997



EMAIL: SALESTEAM@GRAYWOLFSENSING.COM

WWW.GRAYWOLFSENSING.COM

GRAYWOLF SENSING SOLUTIONS

ANNACOTTY INDUSTRIAL PARK, UNIT 1C
ANNACOTTY, COUNTY LIMERICK
V94 PR2Y IRELAND
PH. (353) 61358044