



✓ Surveyed

✓ Documented

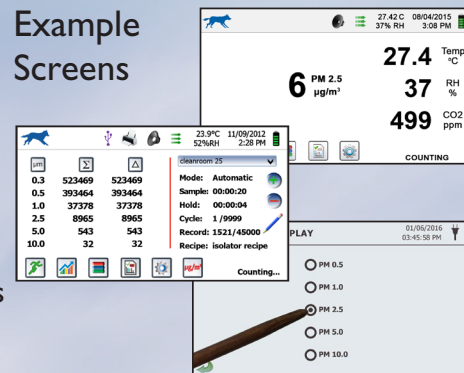
✓ Reported



Features and Benefits:

- Simultaneously displays calculated PM2.5, PM10 and TSP mass concentration in $\mu\text{g}/\text{m}^3$ (also PM0.5, PM1.0 and PM5.0).
- Measures 6 channels of simultaneous particle count data (0.3, 0.5, 1.0, 2.5, 5.0, 10.0 μm)
- Integrate into a building automation system using Ethernet, USB, RS232 or (optional) Wireless 802.11 b/g or RS485
- Access readings via Modbus RTU or (optional) cloud-based GrayWolfLive™
- Optional %RH and temperature probe
- Optional TVOC and/or carbon dioxide sensors; highly accurate PID and NDIR (PC-5005 only)
- Measures particulate 0.3 μm to 25 μm
- 0.1 CFM (2.83 LPM) flow rate via precision, brushless internal pump
- Large easy-to-use icon driven color touch screen display
- As a stand-alone, store up to 45,000 sample records, in up to 1000 location files
- Download logged readings to WolfSense® PC for analysis and/or export to CSV Format (Excel)
- Internal audible alarms, all parameters
- User-friendly field calibration
- Wall-mounting stainless steel enclosure
- 2 year limited warranty

Example Screens



PC-5000 Series

Wall-Mounted Particle/Mass Monitor Plus

Use PC-5000/5s as stand-alone, continuous particulate/IAQ meters. Or plug into mobile computers or into sophisticated AdvancedSense® systems for simultaneous connection with GrayWolf's DirectSense® probes.



- Easily download data from the PC-5000/5 using the included WolfSense PC Software to create high quality trend/bar graphs/tables with WolfSense's advanced organizational features or simply export to Microsoft Excel®.
- Optionally add Advanced Report Generator software for extremely efficient, automated reporting of particle count/concentration data.
- Easy-to-read 4.3" (10.9 cm) WQVGA (480x272) color touch screen.
- Offering 6 channels of simultaneous particle counting, this unit displays both particle counts and (PM) mass concentration ($\mu\text{g}/\text{m}^3$). PM0.5, PM1.0, PM2.5, PM5.0, PM10 and TSP may be concurrently displayed and logged.
- Optionally add simultaneous %RH and °C/°F (PC-5000) plus TVOCs and/or CO₂ (PC-5005). And even more parameters via interface to AdvancedSense Pro or tablet PC and DirectSense Probe(s).

GRAYWOLF[®]
SENSING SOLUTIONS
 PH. 1-203-402-0477
 FAX: 1-203-402-0478

EMAIL:
 SALESTEAM@GRAYWOLFSENSING.COM

WEBSITE:
 WWW.GRAYWOLFSENSING.COM



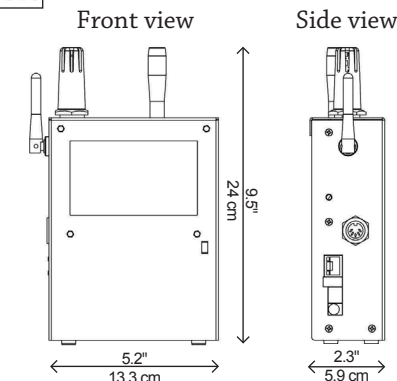
MEASURE SMART

REPORT EFFICIENTLY

PC-5000 Series

Wall-Mounted Particle/Mass Monitor Plus

Size Range	0.3 to 25µm
Size Channels	Factory calibrated at 0.3, 0.5, 1.0, 2.5, 5.0, 10.0 µm Custom binning available
Flow rate	0.1 CFM (2.83 LPM)
Concentration Limit	>4,000,000 Particles/ft ³ @ 5% coincidence loss
Light Source	Long life laser diode
Counting Efficiency	50% @ 0.3 µm; 100% for particles >0.45 µm per JIS
Zero Count	<1 count/5 minutes (<2 particles/ft ³) (per ISO 21501-4 & JIS)
Count Modes	Automatic, manual, beep, cumulative/differential counts or mass concentration
Count Alarms	1 to 9,999,999 counts
Carbon Dioxide (Optional)	0 to 5,000 ppm ±65ppm ±3% rdg. (PC-5005 only)
Relative Humidity/ Temperature (Optional)	15 to 90 %RH ±2%RH, 32 to 122 °F (0 to 50 °C) ±1°F (0.5°C)
TVOCs (Optional)	0 to 50ppm range, <5ppb L.O.D. (PC-5005 only)
Display	4.3" (10.9 cm) WQVGA (480x272) color touch screen
Vacuum Source	Internal brushless pump with automatic flow control
Filtered Exhaust	Internal HEPA filter
Number of Channels	6 for particulate, plus 2 for optional TRH (PC-5000), plus 2 additional for optional sensors on the PC-5005
Custom Size Channels	Calibration for custom particle size channels available
Audible Alarm	Adjustable built-in alarm
Recipes	50 user-configurable recipes
Communication Modes	Serial (for interface with AdvancedSense Pro, WP, Tablets and data download to WolfSensePC), USB for calibration and firmware updates RS-232 Modbus and Ethernet hardware is standard
Optional Communication Modes	RS-485 may be substituted for RS-232 (specify with order). Wireless 802.11 b/g (with antenna) is optional. GrayWolfLive cloud-based interface software is optional.
Alarm	Alarms on counts for all particle sizes, low battery, sensor failure, environmental sensors and flow
Standards	ISO 21501-4 and JIS B9921
Factory Calibration	Recommended annually. NIST traceable (cert optional)
External Surface	Stainless steel
Dimensions (L x W x H)	5.2" x 2.3" x 8.25" (13.3 cm x 5.9 cm x 21 cm) incl. barb fittings (9.5", 24 cm H w/isokinetic inlet)
Weight	3.5 lb (1.6 kg)
Included Accessories	Quick start guide, operating manual on USB flash drive, isokinetic probe, purge filter, WolfSense® PC data download and basic report generation software, USB cable, power supply (spec US, UK or Euro plug)
Additional Optional Accessories	Calibration hood, printed manual, spare battery, isokinetic probes, WSARG Advanced Report Generator
Buffer Memory	45,000 sample records (rotating buffer) including particle count data, environmental data, locations and times. Scrollable on screen or printout
Sample Locations	Up to 1,000 locations 20 characters long (unlimited locations 256 characters long, when interfaced to AdvancedSensePro/WolfPack/tablet with WolfSense LAP)
Sample Time	1 second to 99 hours
Power	110 to 240 VAC 50/60 Hz universal in-line power supply
Operating Conditions	41° to 104°F (5° to 40°C)/20% to 90%RH non-condensing
Storage Conditions	32° to 122°F (0° to 50°C) / Up to 98%RH non-condensing
Warranty	2 years limited (1 year on internal pump and optional TVOC, CO2 sensors)



▲ Shown with optional %RH, °C/°F probe and optional WiFi antenna



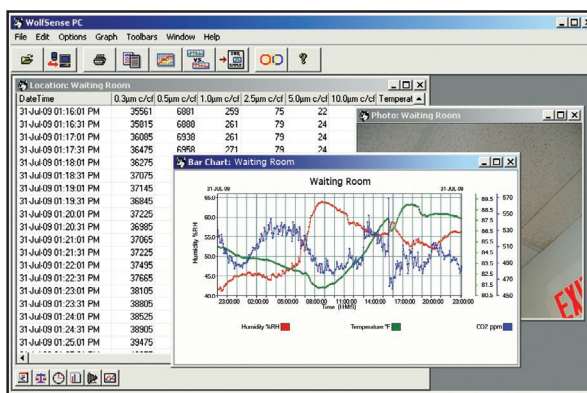
◀ Hard-shell case optional

▶ Highly recommended, (optional) PC-GW4005-HD5 gas calibration hood



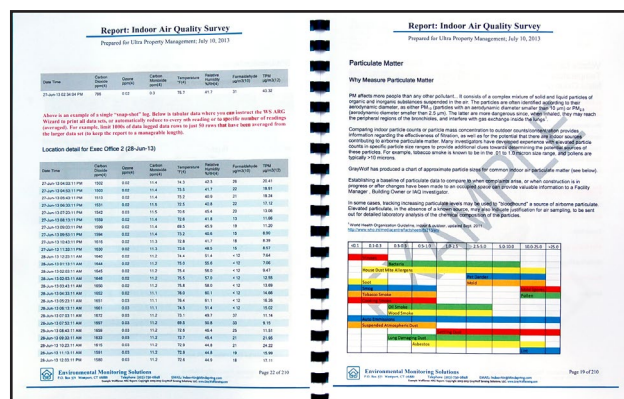
Example ▲

AdvancedSense Pro Screen (interface enables GrayWolf's powerful in-situ features for particulate data)



◀ Example WolfSense PC Screen data transfer & analysis software (supplied as standard)

▶ Example WolfSense ARG report (optional automated report generation software)



GrayWolf Sensing Solutions reserves the right to change specifications without notice.



GRAYWOLF SENSING SOLUTIONS

6 RESEARCH DRIVE (WORLDWIDE HEADQUARTERS)
SHELTON, CT 06484 USA
PH. (1)203-402-0477
800-218-7997



EMAIL: SALESTEAM@GRAYWOLFSENSING.COM

WWW.GRAYWOLFSENSING.COM

GRAYWOLF SENSING SOLUTIONS

ANNACOTT INDUSTRIAL PARK, UNIT 1C
ANNACOTT, COUNTY LIMERICK
V94 PR2Y IRELAND
PH. (353) 61358044